

SprinkFlex® Hose Braided Fig. HB-7

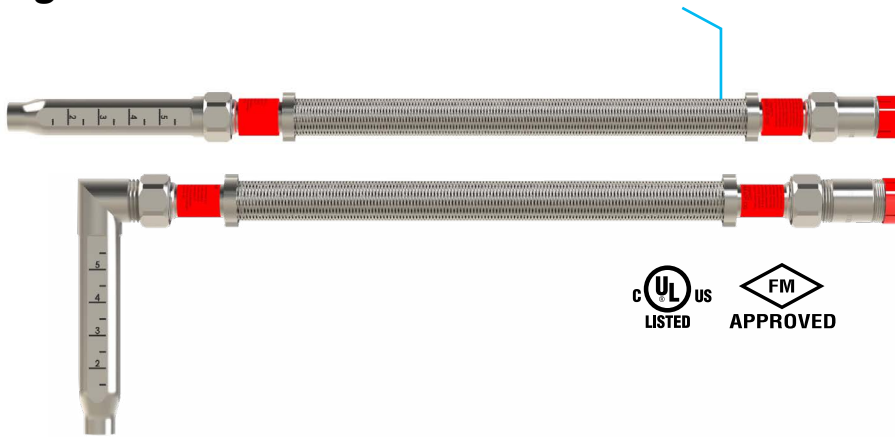


Fig. HB-7 Brackets

Bracket Figure Number & Size	cULus Listed	FM Approved	SprinkFlex Historical Model Number
BKT-IPT, 24in	✓	✓	IPT-24-BKT1
BKT-IPT, 48in			IPT-48-BKT1
BKT-SFO-4, 24in		✓	SFO-24-BKT1
BKT-SFO-4, 48in		✓	SFO-48-BKT1

Note: SprinkFlex Historical Model Numbers may be used to verify cULus Listings & FM Approvals.

Product Specifications

Assembly Length

28in
40in
48in
59in
71in

Straight Outlet Drop

½ NPS
¾ NPS

Optional Elbow Outlet Drops

HBC-7	HBC/SFBC*
6.3 x ½	4.8 x ½
6.3 x ¾	4.8 x ¾

* For Concealed Sprinkler applications with the BKT-IPT.

Inlet Nipple

1 NPS

Pressure Rating

UL: 200psi (1,379kPa)
FM: 175psi (1,205kPa)

Minimum Bend Radius

UL: 3.0in (76.2mm)
FM: 8.0in (203.2mm)

Ambient Temperature

225°F (107°C) Max

Material

304 Stainless Steel Hose
Carbon Steel Fittings

Ordering

Specify figure number, length, outlet size, & description. HBC-7 & HBC/SFBC Elbow Outlets sold separately.



PROJECT INFORMATION	APPROVAL STAMP
Project:	Approved
Address:	Approved as noted
Contractor:	Not approved
Engineer:	Remarks:
Submittal Date:	
Notes 1:	
Notes 2:	

SprinkFlex® Hose Braided Fig. HB-7

Fig. HB-7 cULus Listing per UL 2443 & FM Approval (Listing) per FM 1637

Assembly Length	Equivalent Length								Max # of 90° Bends	
	UL				FM				UL #	FM #
	½ NPS Outlet		¾ NPS Outlet		½ NPS Outlet		¾ NPS Outlet			
In	ft	m	ft	m	ft	m	ft	m		
28	28	8.5	28	8.5	18.6	5.7	18.8	5.7	2	1
40	52	15.8	52	15.8	24.6	7.5	24.8	7.6	3	1
48	64	19.5	64	19.5	28.5	8.6	28.7	8.7	3	3
59	72	21.9	72	21.9	34.4	10.4	34.6	10.5	3	3
71	94	28.7	94	28.7	40.4	12.3	40.6	12.4	3	4

1. Equivalent Length of NPS 1 (DN25) Sch 40 Pipe.
2. Equivalent Lengths listed above assume the maximum number of 90° bends.
3. A 90° bend can be achieved with two 45° bends or three 30° bends.
4. FM Equivalent Lengths are listed for installation with ½" sprinklers with a maximum k-factor of 5.6.
5. FM Equivalent Lengths are listed for installation with ¾" sprinklers with a maximum k-factor of 8.0.

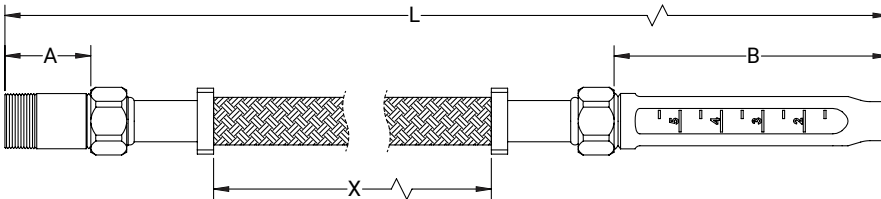


Fig. HB-7 Dimensions & Model Number

Assembly Length	True Length (L)		Braid Length (X)		Inlet Length (A)		Outlet Drop Length (B)		SprinkFlex Historical Model Number	
	In	mm	In	mm	In	mm	In	mm	½ Outlet	¾ Outlet
28	27.6	700	15.4	390					HB28H-7	HB28T-7
40	39.4	1000	27.2	690					HB40H-7	HB40T-7
48	47.2	1200	35.0	890	2.50	64	6.8	173	HB48H-7	HB48T-7
59	59.1	1500	45.7	1160					HB59H-7	HB59T-7
71	70.9	1800	58.7	1490					HB71H-7	HB71T-7



asc-es.com

Building connections that last™

SprinkFlex® Hose Braided Fig. HB-7

Fig. HB-7 With HBC-7 & HBC/SFBC Elbow Outlets cULus Listing per UL 2443 & FM Approval (Listing) per FM 1637

Assembly Length	Equivalent Length								Max # of 90° Bends	
	UL				FM				UL #	FM #
	½ NPS Outlet		¾ NPS Outlet		½ NPS Outlet		¾ NPS Outlet			
In	ft	m	ft	m	ft	m	ft	m	#	#
28	33	10.1	33	10.1	20.6	6.3	20.8	6.3	2	1
40	56	17.1	56	17.1	26.6	8.1	26.8	8.2	3	1
48	67	20.4	67	20.4	30.5	9.3	30.7	9.4	3	3
59	76	23.2	76	23.2	36.4	11.1	36.6	11.2	3	3
71	97	29.6	97	29.6	42.4	12.9	42.6	13.0	3	4

1. Equivalent Length of NPS 1 (DN25) Sch 40 Pipe.
2. Equivalent Lengths listed above assume the maximum number of 90° bends.
3. A 90° bend can be achieved with two 45° bends or three 30° bends.
4. FM Equivalent Lengths are listed for installation with ½" sprinklers with a maximum k-factor of 5.6.
5. FM Equivalent Lengths are listed for installation with ¾" sprinklers with a maximum k-factor of 8.0.
6. The HBC-7 & HBC/SFBC Elbow Outlets are sold separately.
7. The HBC/SFBC Elbow Outlets are intended for concealed sprinkler applications only.

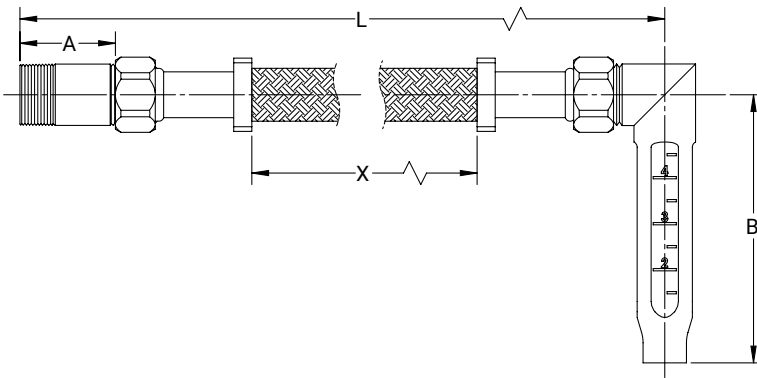


Fig. HB-7 With HBC-7 Elbow Outlet Dimensions & Model Number

Assembly Length	True Length (L)		Braid Length (X)		Inlet Length (A)		Outlet Drop Length (B)		SprinkFlex Historical Model Number	
	In	mm	In	mm	In	mm	In	mm	½ Outlet	¾ Outlet
28	24.5	623	15.4	390					HBE28H-7	HBE28T-7
40	36.3	923	27.2	690					HBE40H-7	HBE40T-7
48	44.1	1121	35.0	890	2.5	63.5	5.8	147.3	HBE48H-7	HBE48T-7
59	56.0	1423	45.7	1160					HBE59H-7	HBE59T-7
71	67.8	1723	58.7	1490					HBE71H-7	HBE71T-7

1. When installed with the HBC/SFBC Elbow Outlet, the "B" dimension is reduced to 4.3in (109mm)



asc-es.com

Building connections that last™

SprinkFlex® Hose Braided Fig. HB-7

Connection to the Branch

1. Separate the threaded inlet nipple (if necessary) from the flexible hose. Apply pipe sealant or tape to the NPT thread on the threaded inlet nipple and install into the branch outlet. **Note:** Only place the pipe wrench on the unthreaded portion of the inlet nipple.
2. Examine the O-ring in the threaded hex union attached to the end of the hose. Ensure it is seated properly and free of debris.
3. Ensure the arrow on the hose is pointing in the direction of flow. Tighten the threaded hex union at the end of the braided hose to the inlet nipple. Hand tight plus ½ turn (15ft-lbs).

Bending the Hose

1. The hose may be bent to ensure the inlet nipple and outlet drop are in the desired locations.
2. The hose should never be bent to a radius less than minimum listed bend radius. The bend radius is defined to the center of the hose.
3. The hose should not be bent within 2½" of the threaded hex union at either end of the hose.
4. The hose must have at least one 90° bend. A 90° bend can be achieved with two 45° bends or three 30° bends.
5. For best performance, the bends in the hose should be as large and smooth as possible.

Connection to the Bracket

1. Installation of the outlet drop to the bracket shall be per the bracket's installation instructions. The bracket shall be listed for installation with the HB-7. See Page 1 for Listed and Approved brackets.
2. Examine the O-ring in the threaded hex union attached to the end of the hose. Ensure it is seated properly and free of debris.
3. Tighten the threaded hex union at the end of the braided hose to the outlet drop. Hand tight plus ¼ turn (15ft-lbs).

Connection to the Sprinkler Head

1. Installation of the outlet drop to the bracket shall be per the bracket's installation instructions. The bracket shall be listed for installation with the HB-7. See Page 1 for Listed and Approved brackets.

General Installation Notes

1. Never apply a wrench to the braided hose.
2. The Fig HB-7 may be installed in any direction from the branch.
3. If installing a sprinkler to a bracket after installation, it is best practice to prevent twisting of the bracket and hose by holding the outlet drop with a wrench.

